



Key Features:

- Low profile, lightweight, cool running - due to high efficiency toroidal design
- Dual 117/234 VAC primary, 50/60 Hz. operation
- Units are designed to have all windings engaged.
- Center single hole mounting
- Supplied with two rubber insulating pads, one metal centering washer and all mounting hardware
- Center bolt size is 10-24 x 3 inch RHMS Zinc Plated.
- Minimum 8" long flexible leads
- Due to toroid design - no electrostatic shield required
- Hi-Pot test of 4,000V RMS between primary & secondary
- CSA certified to C22.2 #66 - CSA file #209651
- UL recognized to UL506 - UL file #E207860
- CE certified to IEC950

Part No.	VA	VAC Secondary (RMS)		Dual or Single Secondary	Dim. Ref
		Series	Parallel		
182K6	15	12V C.T. @ 1.25A	6V @ 2.5A	Dual	A
182L6	30	12V C.T. @ 2.5A	6V @ 5A	Dual	B
182N6	50	12V C.T. @ 4.17A	6V @ 8.34A	Dual	C
182Q6	80	12V C.T. @ 6.67A	6V @ 13.34A	Dual	D
182H9	15	18V C.T. @ .83A	9V @ 1.66A	Dual	A
182K9	30	18V C.T. @ 1.67A	9V @ 3.34A	Dual	B
182M9	50	18V C.T. @ 2.78A	9V @ 5.56A	Dual	C
182N9	80	18V C.T. @ 4.44A	9V @ 8.88A	Dual	D
182Q9	120	18V C.T. @ 6.67A	9V @ 13.34A	Dual	E
182G12	15	24V C.T. @ .63A	12V @ 1.26A	Dual	A
182K12	30	24V C.T. @ 1.25A	12V @ 2.5A	Dual	B
182L12	50	24V C.T. @ 2.08A	12V @ 4.16A	Dual	C
182M12	80	24V C.T. @ 3.33A	12V @ 6.66A	Dual	D
182P12	120	24V C.T. @ 5A	12V @ 10A	Dual	E
182Q12	160	24V C.T. @ 6.67A	12V @ 13.34A	Dual	F
182S12	225	24V C.T. @ 9.38A	12V @ 18.76A	Dual	G
182T12	300	24V C.T. @ 12.5A	12V @ 25A	Dual	H

182G15	15	30V C.T. @ .5A	15V @ 1A	Dual	A
182J15	30	30V C.T. @ 1A	15V @ 2A	Dual	B
182K15	50	30V C.T. @ 1.67A	15V @ 3.34A	Dual	C
182M15	80	30V C.T. @ 2.67A	15V @ 5.34A	Dual	D
182N15	120	30V C.T. @ 4A	15V @ 8A	Dual	E
182P15	160	30V C.T. @ 5.33A	15V @ 10.66A	Dual	F
182H15	225	30V C.T. @ 7.5A	15V @ 15A	Dual	G
182S15	300	30V C.T. @ 10A	15V @ 20A	Dual	H
182F18	15	36V C.T. @ .42A	18V @ .84A	Dual	A
182H18	30	36V C.T. @ .83A	18V @ 1.66A	Dual	B
182J18	50	36V C.T. @ 1.39A	18V @ 2.78A	Dual	C
182L18	80	36V C.T. @ 2.22A	18V @ 4.44A	Dual	D
182M18	120	36V C.T. @ 3.33A	18V @ 6.66A	Dual	E
182N18	160	36V C.T. @ 4.44A	18V @ 8.88A	Dual	F
182G18	225	36V C.T. @ 6.25A	18V @ 12.5A	Dual	G
182F22	15	44V C.T. @ .34A	22V @ .68A	Dual	A
182G22	30	44V C.T. @ .68A	22V @ 1.36A	Dual	B
182J22	50	44V C.T. @ 1.14A	22V @ 2.28A	Dual	C
182L22	80	44V C.T. @ 1.82A	22V @ 3.64A	Dual	D
182M22	120	44V C.T. @ 2.73A	22V @ 5.46A	Dual	E
182N22	160	44V C.T. @ 3.64A	22V @ 7.28A	Dual	F
182P22	225	44V C.T. @ 5.11A	22V @ 10.22A	Dual	G
182S24	500	48V C.T. @ 10.42A	24V @ 20.82A	Dual	I
182T24	625	48V C.T. @ 13.02A	24V @ 26.04A	Dual	J
182U24	750	48V C.T. @ 15.63A	24V @ 31.26A	Dual	K
182V24	1000	48V C.T. @ 20.8A	24V @ 41.7A	Dual	L
182K30	80	60V C.T. @ 1.33A	30V @ 2.66A	Dual	D
182L30	120	60V C.T. @ 2A	30V @ 4A	Dual	E
182M30	160	60V C.T. @ 2.67A	30V @ 5.34A	Dual	F
182F30	225	60V C.T. @ 3.75A	30V @ 7.5A	Dual	G
182P30	300	60V C.T. @ 5A	30V @ 10A	Dual	H
182R30	500	60V C.T. @ 8.33A	30V @ 16.66A	Dual	I
182S30	625	60V C.T. @ 10.42A	30V @ 20.84A	Dual	J
182T30	750	60V C.T. @ 12.5A	30V @ 25A	Dual	K
182U30	1000	60V C.T. @ 16.7A	30V @ 33.3A	Dual	L
182V40	1500	80V C.T. @ 18.8A	40V @ 37.5A	Dual	M

Part No.	VA	VAC Secondary (RMS)		Dual or Single Secondary	Dim. Ref
		Series	Parallel		
182L60	300	120V C.T. @ 2.5A	60V @ 5A	Dual	H
182N60	500	120V C.T. @ 4.17A	60V @ 8.34A	Dual	I
182P60	625	120V C.T. @ 5.21A	60V @ 10.42A	Dual	J
182Q60	750	120V C.T. @ 6.25A	60V @ 12.5A	Dual	K
182R60	1000	120V C.T. @ 8.3A	60V @ 16.7A	Dual	L
182T60	1500	120V C.T. @ 12.5A	60V @ 25A	Dual	M
182D110	15	220V C.T. @ 68ma	110V @ 136ma	Dual	A
182E110	30	220V C.T. @ 136ma	110V @ 272ma	Dual	B
182G110	50	220V C.T. @ 227ma	110V @ 454ma	Dual	C

182H110	80	220V C.T. @ 364ma	110V @ 728ma	Dual	D
182J110	120	220V C.T. @ 545ma	110V @ 1.09A	Dual	E
182K110	160	220V C.T. @ 727ma	110V @ 1.45A	Dual	F
182L110	225	220V C.T. @ 1.02A	110V @ 2.04A	Dual	G
182M110	300	220V C.T. @ 1.36A	110V @ 2.72A	Dual	H
182P110	500	220V C.T. @ 2.27A	110V @ 4.54A	Dual	I
182Q110	625	220V C.T. @ 2.84A	110V @ 5.68A	Dual	J
182R110	750	220V C.T. @ 3.41A	110V @ 6.82A	Dual	K
182S110	1000	220V C.T. @ 4.5A	110V @ 9.1A	Dual	L
182U110	1500	220V C.T. @ 6.8A	110V @ 13.6A	Dual	M
182D117	15	234V C.T. @ 64ma	117V @ 128ma	Dual	A
182E117	30	234V C.T. @ 128ma	117V @ 256ma	Dual	B
182G117	50	234V C.T. @ 214ma	117V @ 428ma	Dual	C
182H117	80	234V C.T. @ 342ma	117V @ 684ma	Dual	D
182J117	120	234V C.T. @ 513ma	117V @ 1.02A	Dual	E
182K117	160	234V C.T. @ 684ma	117V @ 1.37A	Dual	F
182L117	225	234V C.T. @ .96A	117V @ 1.92A	Dual	G
182M117	300	234V C.T. @ 1.28A	117V @ 2.56A	Dual	H
182N117	500	234V C.T. @ 2.14A	117V @ 4.28A	Dual	I
182P117	625	234V C.T. @ 2.67A	117V @ 5.34A	Dual	J
182Q117	750	234V C.T. @ 3.21A	117V @ 6.42A	Dual	K
182R117	1000	234V C.T. @ 4.3A	117V @ 8.5A	Dual	L
182T117	1500	234V C.T. @ 6.4A	117V @ 12.8A	Dual	M
182B240	15	-	240V @ 63ma	Single	A
182D240	30	-	240V @ 125ma	Single	B
182E240	50	-	240V @ 208ma	Single	C
182F240	80	-	240V @ 333ma	Single	D
182G240	120	-	240V @ .5A	Single	E
182H240	160	-	240V @ 667ma	Single	F
182J240	225	-	240V @ .94A	Single	G
182K240	300	-	240V @ 1.25A	Single	H
182L240	500	-	240V @ 2.08A	Single	I
182M240	625	-	240V @ 2.6A	Single	J
182N240	750	-	240V @ 3.13A	Single	K
182P240	1000	-	240V @ 4.17A	Single	L
182Q240	1500	-	240V @ 6.3A	Single	M

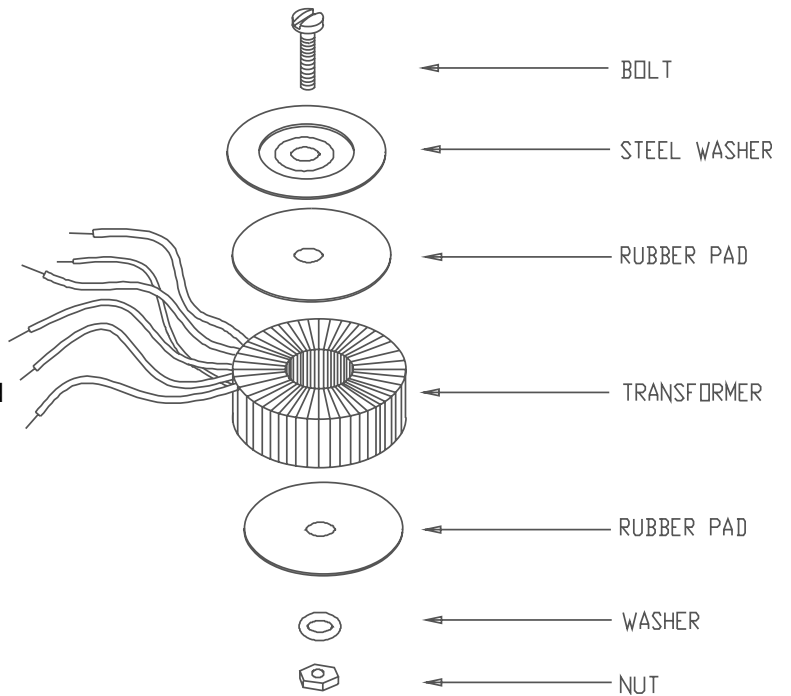
Toroidal (182 Series)

Power



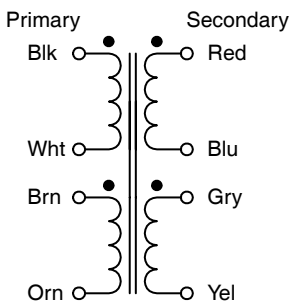
TOROIDAL POWER TRANSFORMERS

- Low profile, lightweight, cool running - due to high efficiency toroidal design
- Dual 117/234 VAC primary, 50/60 Hz. operation
- Center single hole mounting
- Supplied with two rubber insulating pads, one metal centering washer and all mounting hardware
- Center bolt size is 10-24 x 3 inch RHMS zinc plated
- Minimum 8" long flexible leads
- Due to toroid design - no electrostatic shield required
- Hi-Pot test of 4,000V RMS between primary & secondary
- CSA certified to C22.2 #66 - CSA file #209651
- UL recognized to UL506 - UL file #E207860
- CE certified to IEC950

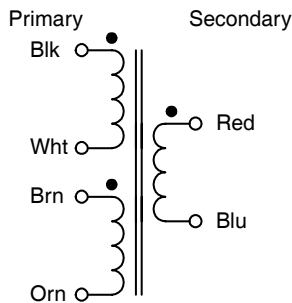


Transformer Schematics

Dual Secondary Schematic



Single Secondary Schematic



Dimension Table

Dim. Ref.	Outside Diameter (Inches)	Height (Inches)	Weight (Lbs.)
A	3.20	1.25	0.76
B	2.95	1.60	1.12
C	3.63	1.73	1.67
D	3.73	1.52	2.15
E	3.98	1.68	2.84
F	4.43	1.73	3.87
G	4.97	1.90	4.96
H	5.06	2.27	5.58
I	5.50	2.21	8.46
J	6.10	3.10	10.38
K	6.40	3.10	13.53
L	6.50	3.50	16.49
M	7.20	3.50	24.97



Dual Primary 117/234 VAC 50/60 Hz.

Part No.	VA	Dual Secondary VAC (R.M.S.)		Dim. Ref
		Series	Parallel	
182K6	15	12V C.T. @ 1.25A	6V @ 2.5A	A
182L6	30	12V C.T. @ 2.5A	6V @ 5A	B
182N6	50	12V C.T. @ 4.17A	6V @ 8.34A	C
182Q6	80	12V C.T. @ 6.67A	6V @ 13.34A	D
182H9	15	18V C.T. @ .83A	9V @ 1.66A	A
182K9	30	18V C.T. @ 1.67A	9V @ 3.34A	B
182M9	50	18V C.T. @ 2.78A	9V @ 5.56A	C
182N9	80	18V C.T. @ 4.44A	9V @ 8.88A	D
182Q9	120	18V C.T. @ 6.67A	9V @ 13.34A	E
182G12	15	24V C.T. @ .63A	12V @ 1.26A	A
182K12	30	24V C.T. @ 1.25A	12V @ 2.5A	B
182L12	50	24V C.T. @ 2.08A	12V @ 4.16A	C
182M12	80	24V C.T. @ 3.33A	12V @ 6.66A	D
182P12	120	24V C.T. @ 5A	12V @ 10A	E
182Q12	160	24V C.T. @ 6.67A	12V @ 13.34A	F
182S12	225	24V C.T. @ 9.38A	12V @ 18.76A	G
182T12	300	24V C.T. @ 12.5A	12V @ 25A	H
182G15	15	30V C.T. @ .5A	15V @ 1A	A
182J15	30	30V C.T. @ 1A	15V @ 2A	B
182K15	50	30V C.T. @ 1.67A	15V @ 3.34A	C
182M15	80	30V C.T. @ 2.67A	15V @ 5.34A	D
182N15	120	30V C.T. @ 4A	15V @ 8A	E
182P15	160	30V C.T. @ 5.33A	15V @ 10.66A	F
182H15	225	30V C.T. @ 7.5A	15V @ 15A	G
182S15	300	30V C.T. @ 10A	15V @ 20A	H
182F18	15	36V C.T. @ .42A	18V @ .84A	A
182H18	30	36V C.T. @ .83A	18V @ 1.66A	B
182J18	50	36V C.T. @ 1.39A	18V @ 2.78A	C
182L18	80	36V C.T. @ 2.22A	18V @ 4.44A	D
182M18	120	36V C.T. @ 3.33A	18V @ 6.66A	E
182N18	160	36V C.T. @ 4.44A	18V @ 8.88A	F
182G18	225	36V C.T. @ 6.25A	18V @ 12.5A	G
182F22	15	44V C.T. @ .34A	22V @ .68A	A
182G22	30	44V C.T. @ .68A	22V @ 1.36A	B
182J22	50	44V C.T. @ 1.14A	22V @ 2.28A	C
182L22	80	44V C.T. @ 1.82A	22V @ 3.64A	D
182M22	120	44V C.T. @ 2.73A	22V @ 5.46A	E
182N22	160	44V C.T. @ 3.64A	22V @ 7.28A	F
182P22	225	44V C.T. @ 5.11A	22V @ 10.22A	G
182S24	500	48V C.T. @ 10.42A	24V @ 20.84A	I
182T24	625	48V C.T. @ 13.02A	24V @ 26.04A	J
182U24	750	48V C.T. @ 15.63A	24V @ 31.26A	K
182V24	1000	48V C.T. @ 20.8A	24V @ 41.6A	L
182K30	80	60V C.T. @ 1.33A	30V @ 2.66A	D
182L30	120	60V C.T. @ 2A	30V @ 4A	E
182M30	160	60V C.T. @ 2.67A	30V @ 5.34A	F
182F30	225	60V C.T. @ 3.75A	30V @ 7.5A	G
182P30	300	60V C.T. @ 5A	30V @ 10A	H
182R30	500	60V C.T. @ 8.33A	30V @ 16.66A	I
182S30	625	60V C.T. @ 10.42A	30V @ 20.84A	J
182T30	750	60V C.T. @ 12.5A	30V @ 25A	K
182U30	1000	60V C.T. @ 16.7A	30V @ 33.4A	L

Dual Primary 117/234 VAC 50/60 Hz.

Part No.	VA	Dual Secondary VAC (R.M.S.)		Dim. Ref
		Series	Parallel	
182V40	1500	80V C.T. @ 18.8A	40V @ 37.6A	M
182L60	300	120V C.T. @ 2.5A	60V @ 5A	H
182N60	500	120V C.T. @ 4.17A	60V @ 8.34A	I
182P60	625	120V C.T. @ 5.21A	60V @ 10.42A	J
182Q60	750	120V C.T. @ 6.25A	60V @ 12.5A	K
182R60	1000	120V C.T. @ 8.3A	60V @ 16.6A	L
182T60	1500	120V C.T. @ 12.5A	60V @ 25A	M
182D110	15	220V C.T. @ 68ma	110V @ 136ma	A
182E110	30	220V C.T. @ 136ma	110V @ 272ma	B
182G110	50	220V C.T. @ 227ma	110V @ 454ma	C
182H110	80	220V C.T. @ 364ma	110V @ 728ma	D
182J110	120	220V C.T. @ 545ma	110V @ 1.09A	E
182K110	160	220V C.T. @ 727ma	110V @ 1.45A	F
182L110	225	220V C.T. @ 1.02A	110V @ 2.04A	G
182M110	300	220V C.T. @ 1.36A	110V @ 2.72A	H
182P110	500	220V C.T. @ 2.27A	110V @ 4.54A	I
182Q110	625	220V C.T. @ 2.84A	110V @ 5.68A	J
182R110	750	220V C.T. @ 3.41A	110V @ 6.82A	K
182S110	1000	220V C.T. @ 4.5A	110V @ 9A	L
182U110	1500	220V C.T. @ 6.8A	110V @ 13.6A	M
182D117	15	234V C.T. @ 64ma	117V @ 128ma	A
182E117	30	234V C.T. @ 128ma	117V @ 256ma	B
182G117	50	234V C.T. @ 214ma	117V @ 428ma	C
182H117	80	234V C.T. @ 342ma	117V @ 684ma	D
182J117	120	234V C.T. @ 513ma	117V @ 1.02A	E
182K117	160	234V C.T. @ 684ma	117V @ 1.37A	F
182L117	225	234V C.T. @ .96A	117V @ 1.92A	G
182M117	300	234V C.T. @ 1.28A	117V @ 2.56A	H
182N117	500	234V C.T. @ 2.14A	117V @ 4.28A	I
182P117	625	234V C.T. @ 2.67A	117V @ 5.34A	J
182Q117	750	234V C.T. @ 3.21A	117V @ 6.42A	K
182R117	1000	234V C.T. @ 4.3A	117V @ 8.6A	L
182T117	1500	234V C.T. @ 6.4A	117V @ 12.8A	M

Dual Primary 117/234 VAC 50/60 Hz.

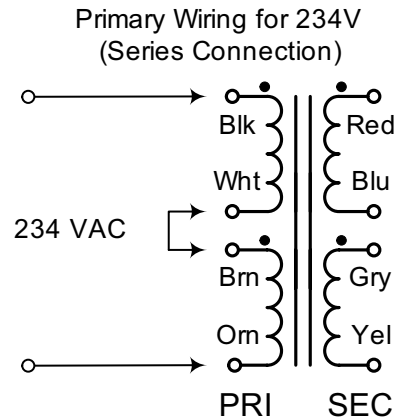
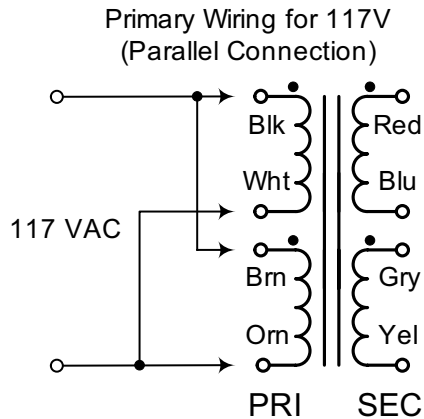
Part No.	VA	Single Secondary VAC (R.M.S.)	Dim. Ref
182B240	15	240V @ 63ma	A
182D240	30	240V @ 125ma	B
182E240	50	240V @ 208ma	C
182F240	80	240V @ 333ma	D
182G240	120	240V @ .5A	E
182H240	160	240V @ 667ma	F
182J240	225	240V @ .94A	G
182K240	300	240V @ 1.25A	H
182L240	500	240V @ 2.08A	I
182M240	625	240V @ 2.6A	J
182N240	750	240V @ 3.13A	K
182P240	1000	240V @ 4.17A	L
182Q240	1500	240V @ 6.3A	M



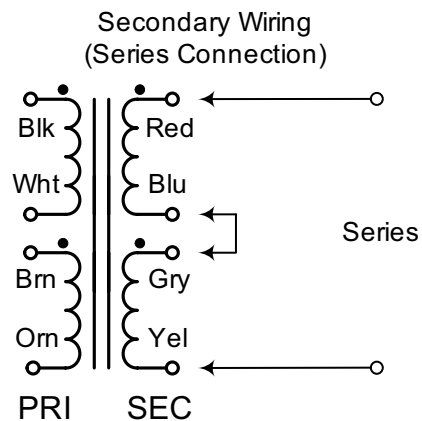
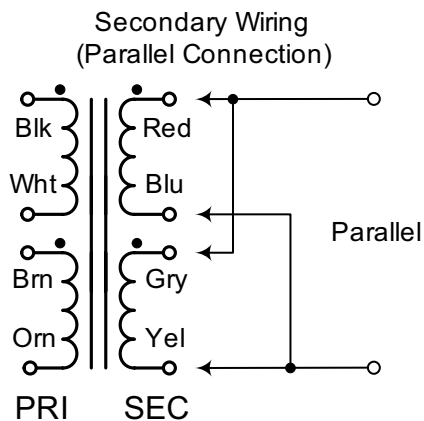
Connection Information

182 Series Toroidal Power Transformers

Primary Connections - 182 Series Transformers



Secondary Connections - 182 Series Transformers



Secondary Wiring
(Only Single Secondary Models)

